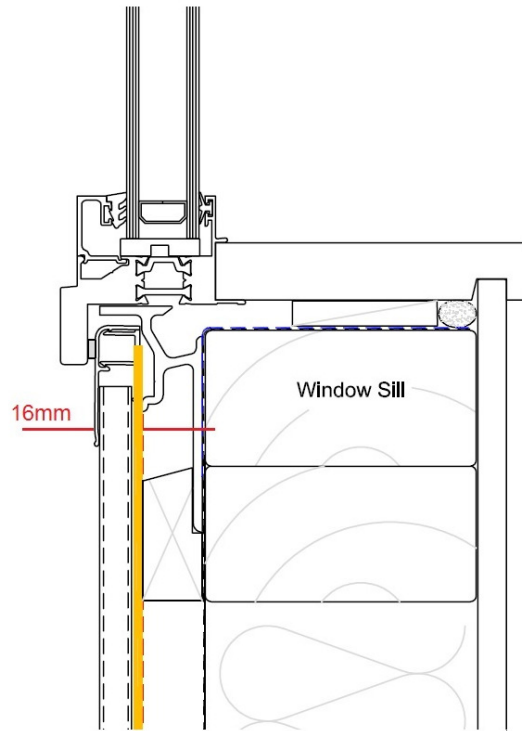
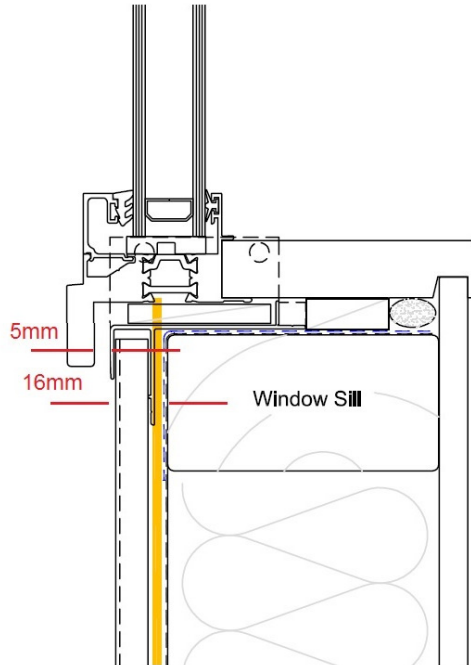


Horizontal per BRANZ #550



Vertical per BRANZ #870

Cavity installations - total = 16mm



Vertical per BRANZ #556

Direct-fixed installations - require additional 5mm stand-off from cladding to allow venting at sill; total = 21mm